



- TASTE THE DIFFERENCE -

MODEL GEN-5420

This pressurized soft serve freezer dispenses two separate mixes, allowing multiple crew members to pull product at the same time. The pressurized machines are excellent for high butterfat mixes like custard, lowfat and premium ice cream. Perfect for high-volume college & university cafeterias, restaurants, ice cream shops and stadium concessionaires.

The Electro Freeze Advantage

- **Patented Mix Transfer System*** simplest and most reliable pressurized system available.
- **Flexible Mix Holding System Pumps** directly from bags or from mix containers
- **Innovative Solutions** providing the Best product quality in the industry.
- **Meets ADA Specifications** for self service applications
- **Precision dual Smart control monitors** Temperature and Consistency to provide superior taste and quality.
- **Multi-function LED** display with manager smart tools.
- **The Finest Frozen Product**, consistently the best frozen product available. Smooth, creamy and profitable.
- **Self Closing Spigots** prevents the mess and eliminates waste
- **Exclusive Auger Design** Superior low temperature refrigeration system provides the best in class production and product quality.
- **Energy Conservation Mode** reduces energy cost and holds product safely during non-business hours
- **Superior Low Temperature Refrigeration System** provides the best in class production and product quality
- **Scroll Compressor Technology** provides increased capacity, reliability and efficiency.

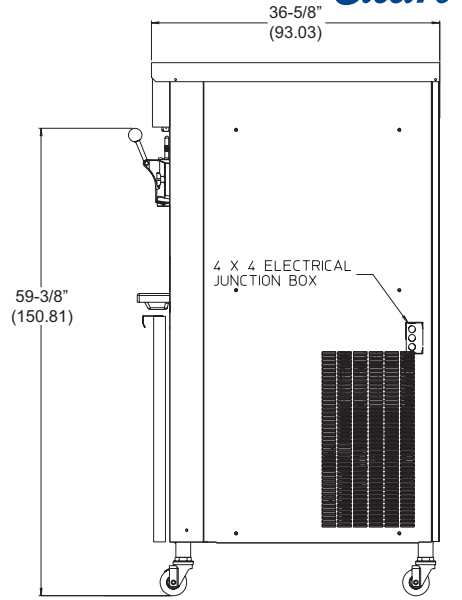
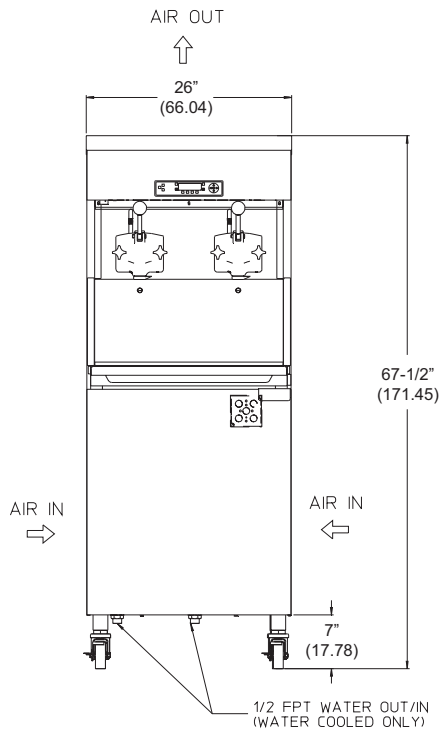
SOFT SERVE FREEZER GENESIS SERIES™ featuring


**Virtual Quality
Management System™**



**Let VQM help manage your frozen
dessert business more effectively.**

GEN-5420 Soft Serve Freezer



MODEL GEN-5420 SPECIFICATIONS

Due to continual product improvements all specifications are subject to change without notice.

Weights	lbs.	kgs.
Net	847	384
Crated	993	450
	cu.ft.	cu.m.
Volume	58.42	1.65
Dimensions	in.	cm
Width	26	66.04
Depth	36-5/8	93.03
Height	67-1/2	171.45

Electrical	Maximum Fuse Size		NEMA Plug Type
208-230/60/1 Air	35 (2)	29 (2)	2P, 2W
208-230/60/1 Water	35 (2)	27.5 (2)	2P, 2W
208-230/60/3 Air	25 (2)	20 (2)	3P, 3W
208-230/60/3 Water	20 (2)	19 (2)	3P, 3W

Electrical characteristics other than above available on request from factory or local distributor. Check nameplate for exact electrical data.

Bidding Spec

Electrical: Volt _____ Hz _____ Ph _____

Cooling: _____ Neutral _____ Yes _____ No

Options: _____

Electrical

Two dedicated electrical connections are required. Manufactured to be permanently connected. See electrical chart for the proper requirement. Consult your local electrical codes for cord and receptacle specifications.

Beater Motor

Two, 2hp.

Refrigeration Systems

Two, 19,000 Btuh. R404a.
Separate Cabinet Refrigeration, One, 1000 Btuh, R134a.
Btuh may vary depending on compressor used.

Air Cooled

6" (15.2 cm) air space required on both sides for proper air circulation and be open on the top.

Mix Hopper Capacity: two - 26 quarts (24.6 liters) each

Freezing Cylinder Capacity: two - 5 quarts (4.7 liters) each

Certified and/or listed by:



*UL listed and listed by Underwriters Laboratories under Canadian National Standard C22.2 No. 120-13



Electro Freeze div. of H.C. Duke & Son, LLC

2116-8th Avenue, East Moline, Illinois 61244 USA
Phone (309) 755-4553 • (800) 755-4545
FAX (309) 755-9858
E-mail: sales@electrofreeze.com • www.electrofreeze.com

Authorized Distributor